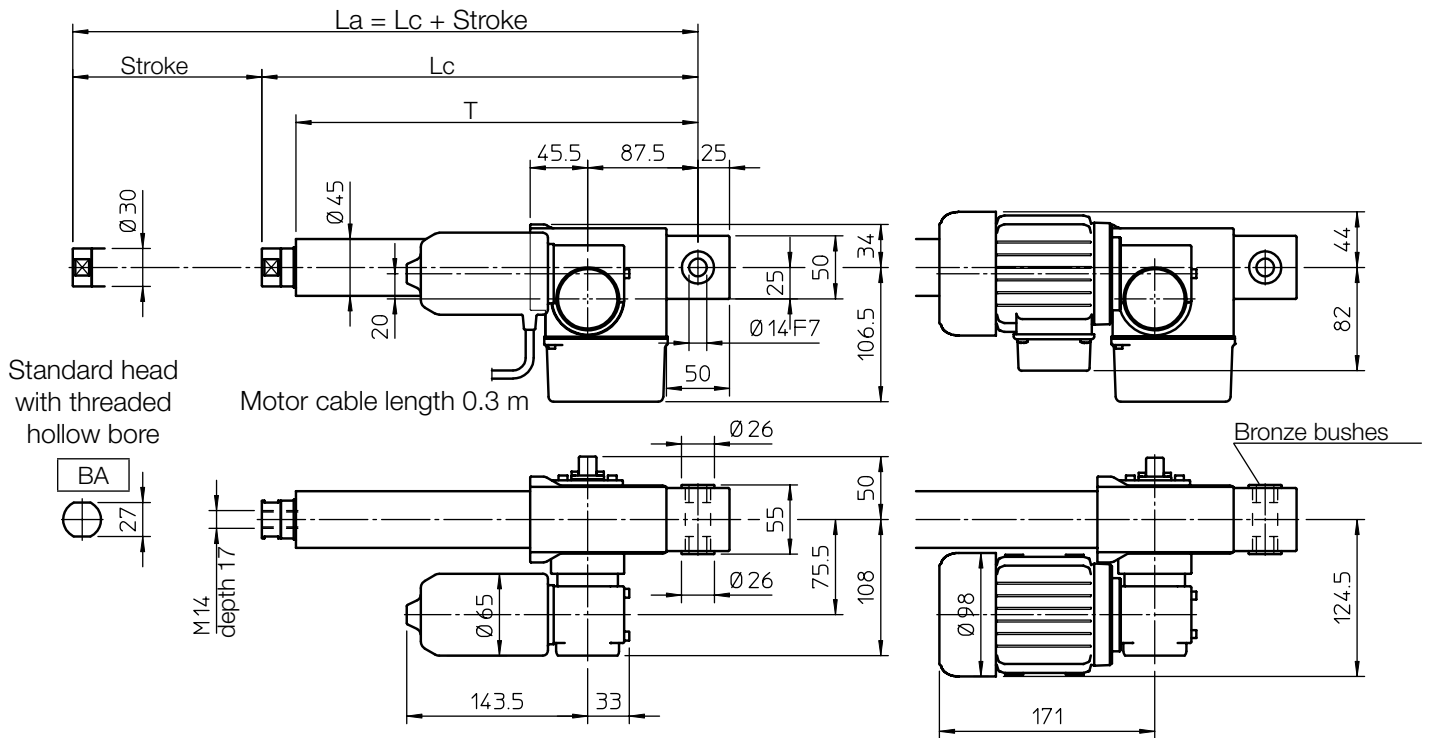


## OVERALL DIMENSIONS



Length [mm]	
Lc [mm]	230 + Stroke
T [mm]	191 + Stroke

## PERFORMANCES AND FEATURES

- Pull-Push load up to 10 000 N
- Linear speed up to 8 mm/s (DC motor)
- Linear speed up 3,7 mm/s (AC motor)
- Standard stroke lengths: 200, 300, 400, 500, 600, 700, 800 mm (for different / longer stroke lengths please contact us)
- Cast iron housing with integral rear attachment and bronze bush
- Anodized aluminium outer tube
- Chrome-plated steel push rod – tolerance f7
- Stainless steel AISI 303 front attachment BA
- Motors:
  - 12, 24 or 36 V DC motor with electromagnetic noise suppressor
  - AC 3-phase or 1-phase motor (motor features details on pages 69 and 70)
- Duty cycle with max load:
  - DC motor max 15% over 10 min at (-10 ... +40) °C
  - AC motor max 30% over 10 min at (-10 ... +40) °C
- Standard protection:
  - with DC motor IP65
    - Test IP6X according to EN 60529 §12 §13.4-13.6
    - Test IPX5 according to EN 60529 §14.2.5 (tests made with not running actuator)
  - with AC motor without brake IP55
  - with AC brake-motor IP54

- Standard motor and first stage gearbox unit mounting position as per sketch (right-hand, code RH)
- Long-life lubrication, maintenance free

## ACCESSORIES

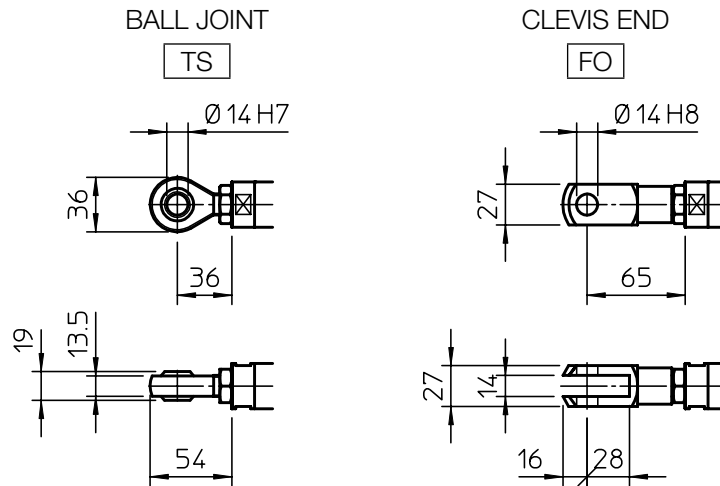
- Different front attachments
- Stainless steel push rod (code SS)
- Mechanical overload protection: safety clutch (code FS)
- Anti-turn device (code AR)
- Adjustable electric stroke end switches (code FC2)
- Adjustable electric stroke end switches, switching off the motor (not available with AC 3-phase motor) (code FC2X)
- Extra switch for intermediate position (code FC)
- Rotative potentiometer 5kOhm for positioning control (code POR5K)

NOTE: Extra limit switch and rotative potentiometer cannot be selected together

## OPTIONS

- Motor and first stage gearbox unit mounting position on opposite side (left-hand, code LH)

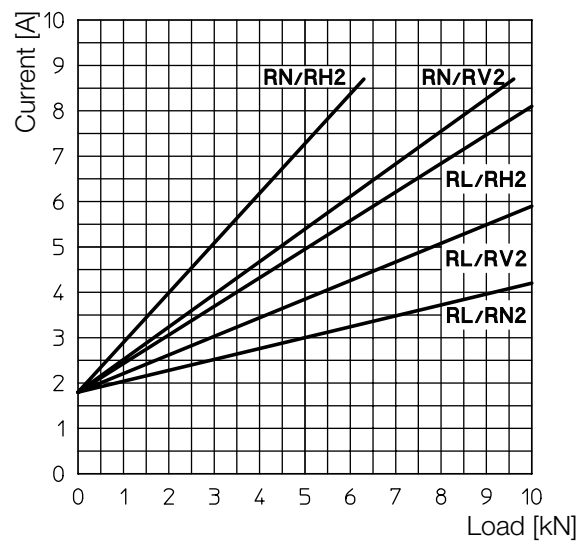
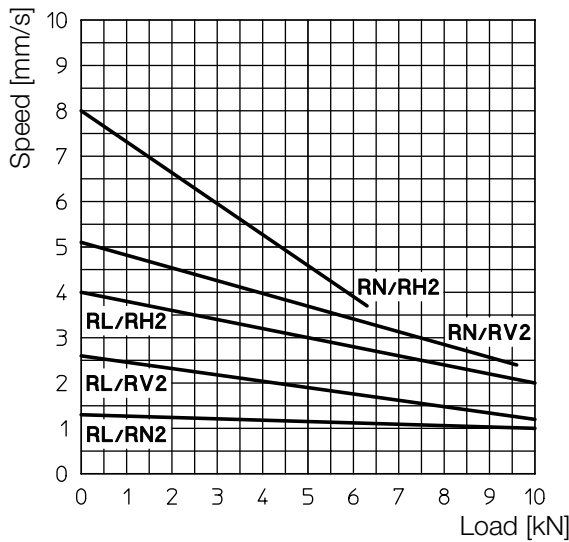
FRONT ATTACHMENT



### PERFORMANCES with 24 V DC motor

(Performances with 12 V DC motor: same load, linear speed 10 % less, electrical consumption 2 times more)

2-starts acme screw Tr 18x8 (P4)



### PERFORMANCES with AC 3-phase 50 Hz 230/400 V or 1-phase 50 Hz 230 V motor

2-starts acme screw Tr 18x8 (P4)		
RATIO	0.06 kW - 2 pole motor	
	LOAD [N]	SPEED [mm/s]
RL/RH2	3600	3.7
RL/RV2	5500	2.4
RL/RN2	9600	1.2

### Self-locking conditions

Information about statically self-locking conditions with pull or push load on page 68.

### ORDERING CODE EXAMPLE

CLA 28	RL1	C800	CC 24 V	FC2	POR 5K				
Actuator	Selected ratio	Required stroke	Motor	Stroke end switches	Accessories			Options	